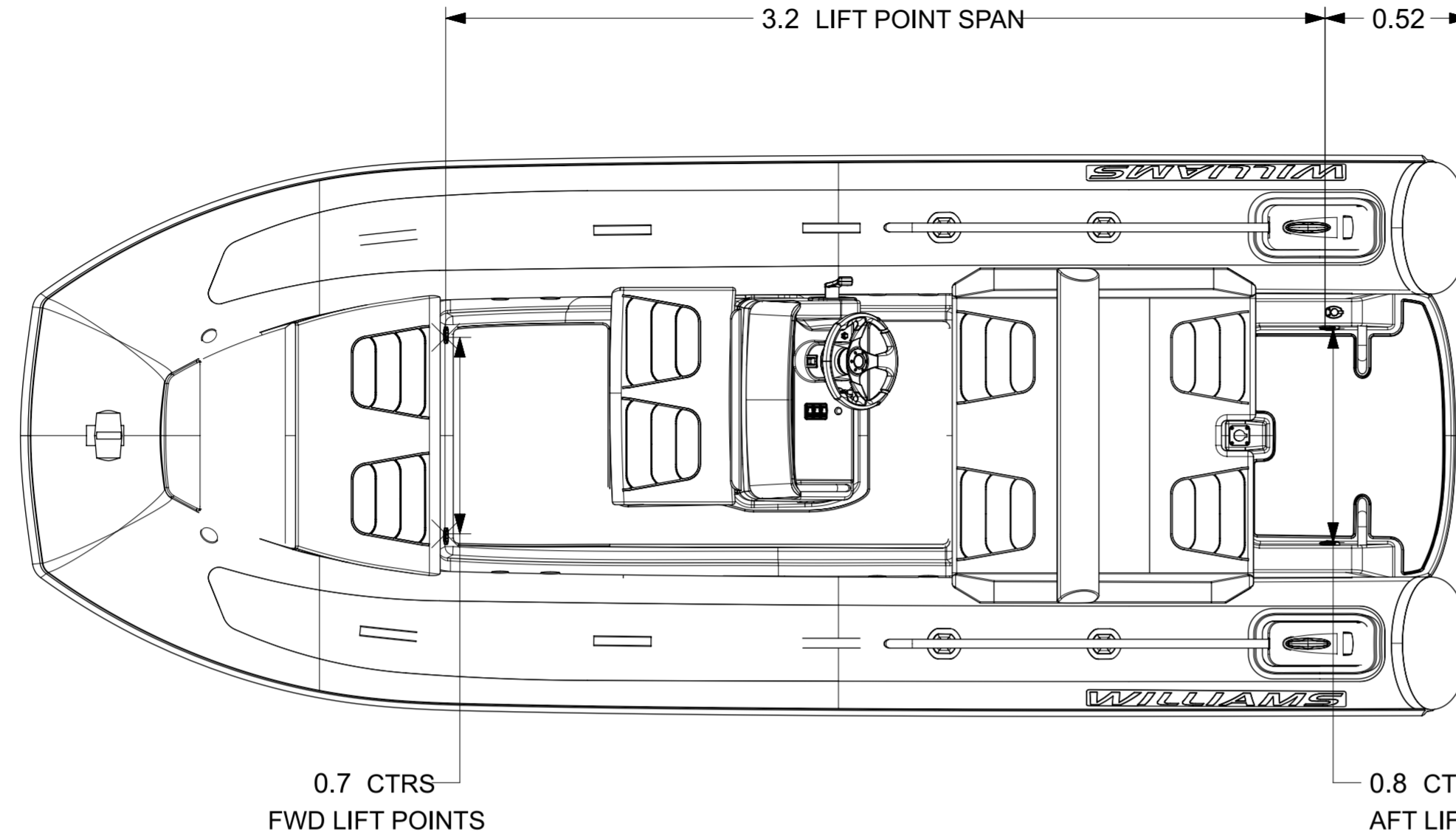


SPORTJET

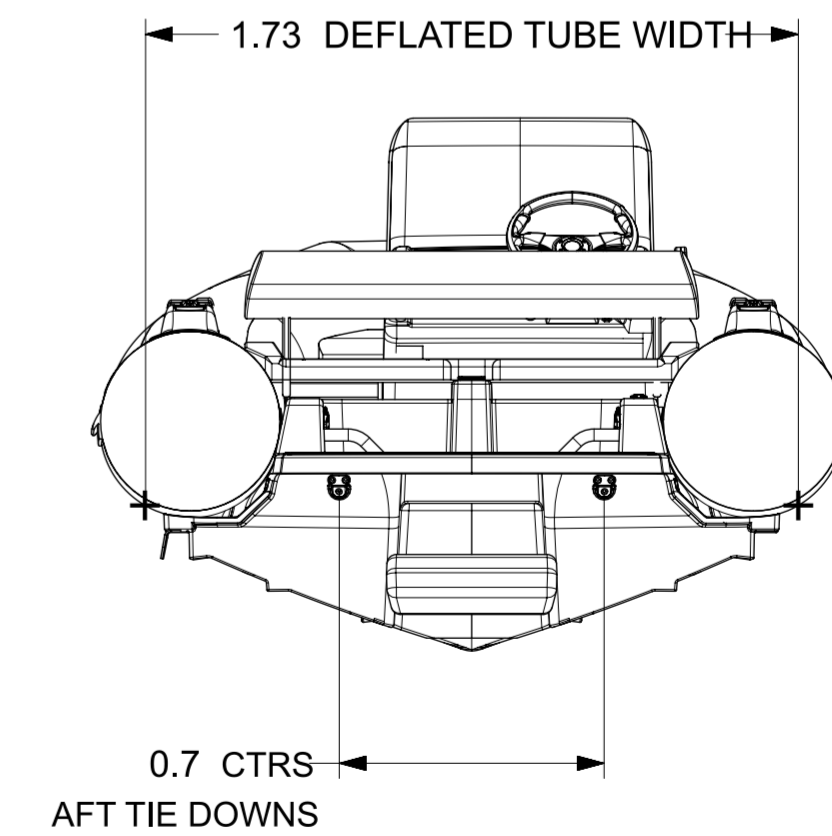
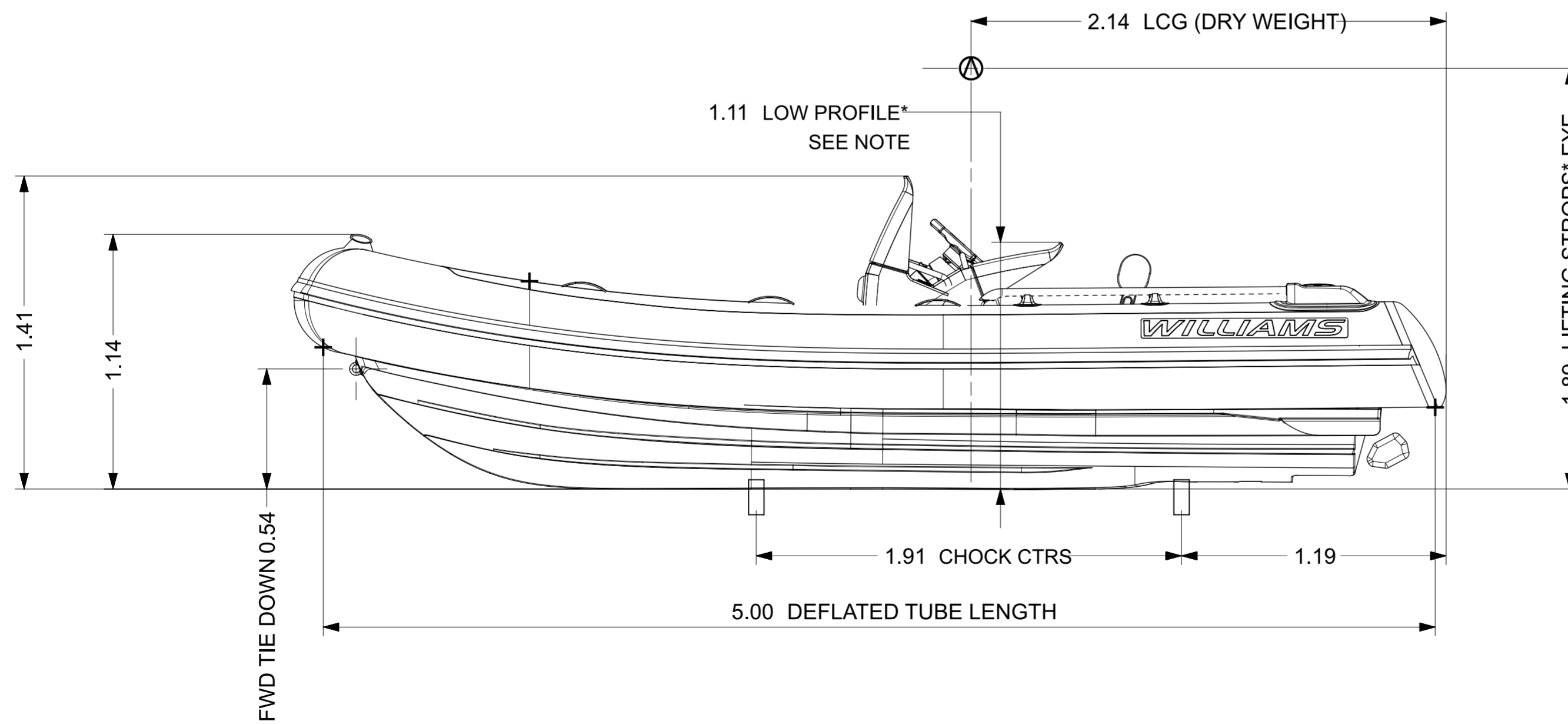
520

LOA	5.19m ±1%
BEAM OA	2.01m ±1%
DRAFT (FULLY LOADED)	0.42m
ENGINE	Rotax ACE 230
POWER	230hp ≅ 169.16 kW
DRY WEIGHT	595kg
SEATING CAPACITY	7
FUEL	PETROL
FUEL CAPACITY	100L
MAX. SPEED	52mph ≅ 84kph
No. TUBE COMPARTMENTS	5
CE DESIGN CATEGORY	C



NOTES:

1. LENGTH / BEAM TOLERANCE DUE TO VARIATION IN TUBE PRESSURE.
2. AVERAGE DRY WEIGHT STATED;
ACTUAL WEIGHT DEPENDENT ON OPTIONS FITTED.
3. LOW PROFILE:
 - DEFLATE TUBES.
 - QUICK RELEASE STEERING WHEEL.
 - FULLY FOLD DOWN HELM.
4. STANDARD CHOCKS*: 99-1460
CHOCK PROFILES DRAWING: RD472.



*OPTIONAL ACCESSORY

REV.	DATE	DETAILS	WE	DBS
1	12/08/2021	PRODUCTION RELEASE	WE	DBS

GENERAL TOL.	0	+0.50
	0.0	-0.25
	0.00	-0.10
	0°	+0.50°

DRAWN	WE	DATE	12/08/2021
APPVD	DBS	DATE	12/08/2021
PROJECT:	-		
INSPECTION LEVEL:	-		
MATERIAL & FINISH	-		

WILLIAMS	
SPORTJET 520 (2022MY)	
PART NO.	WPT-000520SJ-2022MY-DATASHEET -dwg.1
SCALE	1:20
SHEET	1 OF 1

NOT FOR PUBLICATION - THIS DRAWING IS THE PROPERTY OF WILLIAMS JET TENDERS LTD. AND IS ISSUED ON CONDITION THAT IT IS NOT COPIED, RE-PRINTED OR DISCLOSED EITHER WHOLLY OR IN PART TO ANY THIRD PARTY NOT AUTHORISED TO RECEIVE IT

REMOVE ALL BURRS & BREAK SHARP EDGES
GENERAL SURFACE FINISH Ra 1.6UM
DIMENSIONS IN MM UNLESS STATED
DO NOT SCALE DRAWING