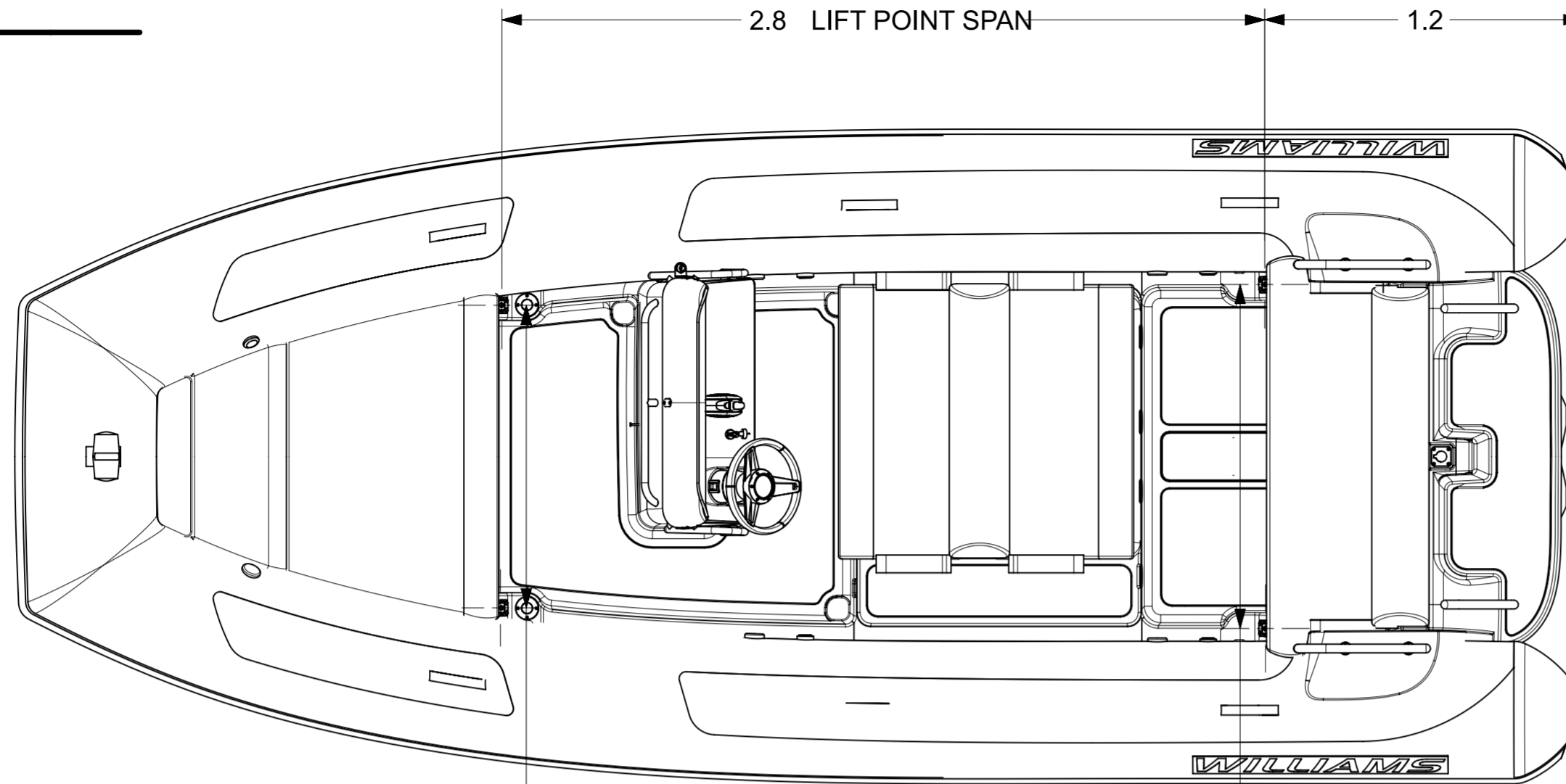


# DIESELJET

565



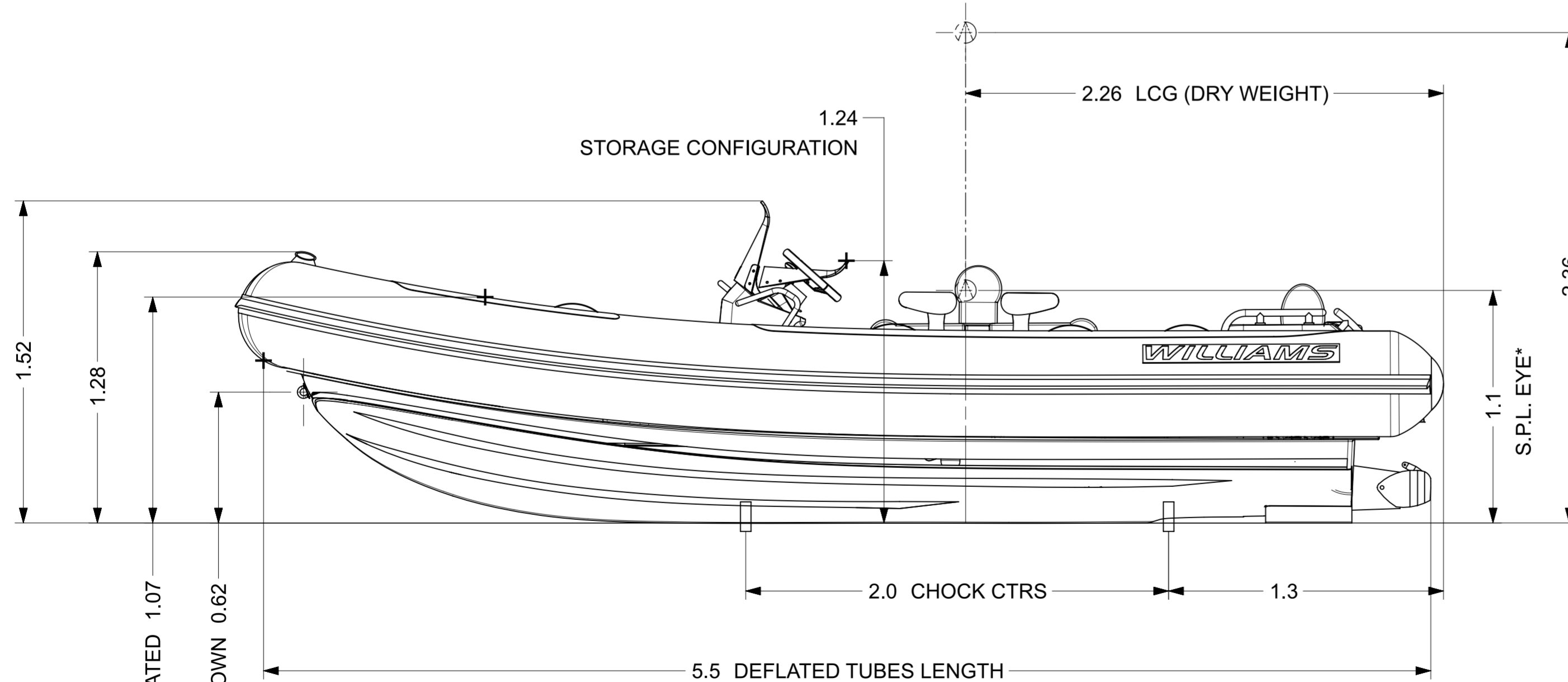
1.1 CTRS  
FWD LIFT POINTS

1.3 CTRS  
AFT LIFT POINTS

LENGTH	5.71m (±1%)
BEAM	2.41m (±1%)
DRAFT (FULLY LOADED)	0.50m
ENGINE	YANMAR 4LV
POWER	150hp ≅ 111kW / 195hp ≅ 143kW
DRY WEIGHT	1145Kg
SEATING CAPACITY	9
FUEL	DIESEL
FUEL CAPACITY	100L
MAX. SPEED	40mph ≅ 64kph / 44mph ≅ 71kph
No. TUBE COMPARTMENTS	6
CE DESIGN CATEGORY	C

NOTES:

1. LENGTH / BEAM TOLERANCE DUE TO VARIATION IN TUBE AIR PRESSURE.
2. AVERAGE DRY WEIGHT STATED; ACTUAL WEIGHT DEPENDENT ON OPTIONS FITTED.
3. STORAGE CONFIGURATION:
  - QUICK RELEASE STEERING WHEEL \*
  - FOLDABLE WINDSCREEN
  - FWD TUBE DEFLATED
4. REFER TO DWG RD444 FOR CHOCK PROFILES.



1.24  
STORAGE CONFIGURATION

2.26 LCG (DRY WEIGHT)

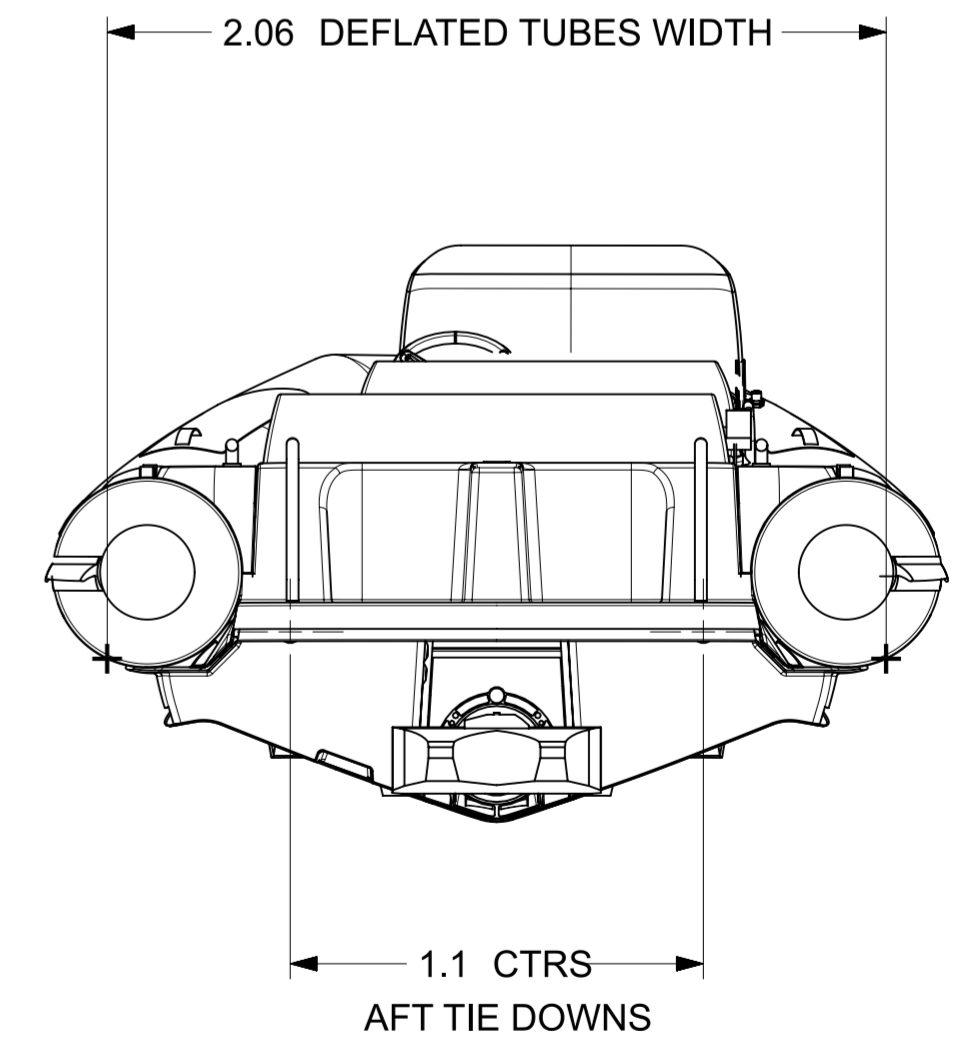
2.36  
LIFTING STRAPS EYE\*

1.1  
S.P.L. EYE\*

2.0 CHOCK CTRS

1.3

5.5 DEFLATED TUBES LENGTH



2.06 DEFLATED TUBES WIDTH

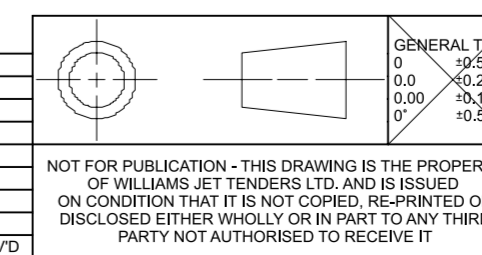
1.1 CTRS  
AFT TIE DOWNS

BOW DEFLATED 1.07

FWD TIE DOWN 0.62

\*OPTIONAL ACCESSORY

REV.	DATE	DETAILS	WE	DRAWN	DBS	APPVD
1	12/08/2021	DOCUMENT PRODUCTION	WE		DBS	



GENERAL TOL.	0	+0.50
	0.0	+0.25
	0.00	+0.10
	0	+0.50

DRAWN	WE	12/08/2021	<b>WILLIAMS</b>
APPVD	DBS	12/08/2021	
PROJECT:	-		TITLE
INSPECTION LEVEL:	-		<b>DIESELJET 565 (2022MY)</b>
MATERIAL & FINISH	-		PART NO.
	-		<b>WPT-000565DJ-2022MY-DATASHEET-dwg.1</b>
	-		SCALE 1:20
	-		SHEET 1 OF 1

A2